

Pump Range

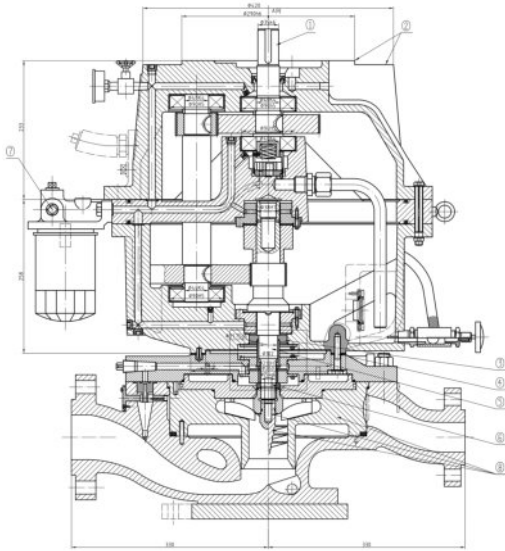
Matching spare parts for Retrofitting

Issue No: 07A June 2022

High Speed OH6 & Progressive Cavity pumps

Background of Development of High Speed Pumps in Oil & Gas Industry

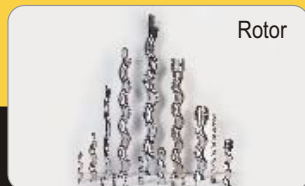
Dated back in the 1950s, engineers from SUNSTRAND in the United States used the technology in the development of the Boeing 707 injection pump. In the 1960s, the company began production and sales of the high-speed pump under the trademark "SUNDYNE", which mainly serves the petrochemical industry and has SUNDYNE's LMV311, LMV322, LMV331, LMV341, HMP3000, HMP5000, HMP7000, LMV800 series and SUNFLO P1000, P2000, P3000 series. Today, retrofit gearboxes and replacement supplies are available through Research & Development from other suppliers in China and Europe.



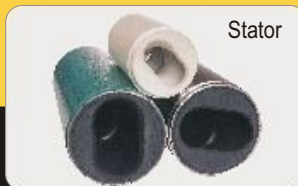
Progressive spares for

GLOBALLY TRUSTED RETROFITPARTS

not simple re-engineering but intelligent engineering



Rotor



Stator



Other Parts

12 Months Warranty

Netzsch® Mono® Seepex® Moyno® Allweiler®

Roto Pumps is one of the world's leading manufacturer of Progressive Cavity Pumps. Its experience spans over 40 years in designing, manufacturing and supplying Progressive Cavity Pumps. At Roto, its intelligent engineering has naturally built its reputation around its globe and is known to out perform the originals in some cases. It has now offices in India, United Kingdom and Australia.

The Roto completely understands the functionality of all vital parts, materials and critical manufacturing tolerances in order to achieve high quality and reliable range of Progressive Cavity Pump parts. It is amongst the very few progressive cavity pump manufacturers who have been manufacturing stators in house and also manufactures moulds in-house that are engineered to take into account the unique shrinkage patterns. This, combined strict process controls, results in stators of unparalleled dimensional accuracy.

Distribute By EST MECH PTE LTD, SINGAPORE

Address: 10 Anson Road #10-11 International Plaza S(079903) t: +65 985 00273 e: enquiry@estmech.com